

PRODUCT INFORMATION PACKET

Model No: 5KCR39UN2512X
Catalog No: C1173
2 HP Jet Pump Motor, 1 phase, 3600 RPM, 230 V, 56Y Frame, ODP
Jet Pump Motors



Regal and Marathon are trademarks of Regal Beloit Corporation or one of its affiliated companies.
©2020 Regal Beloit Corporation, All Rights Reserved. MC017097E

REGAL



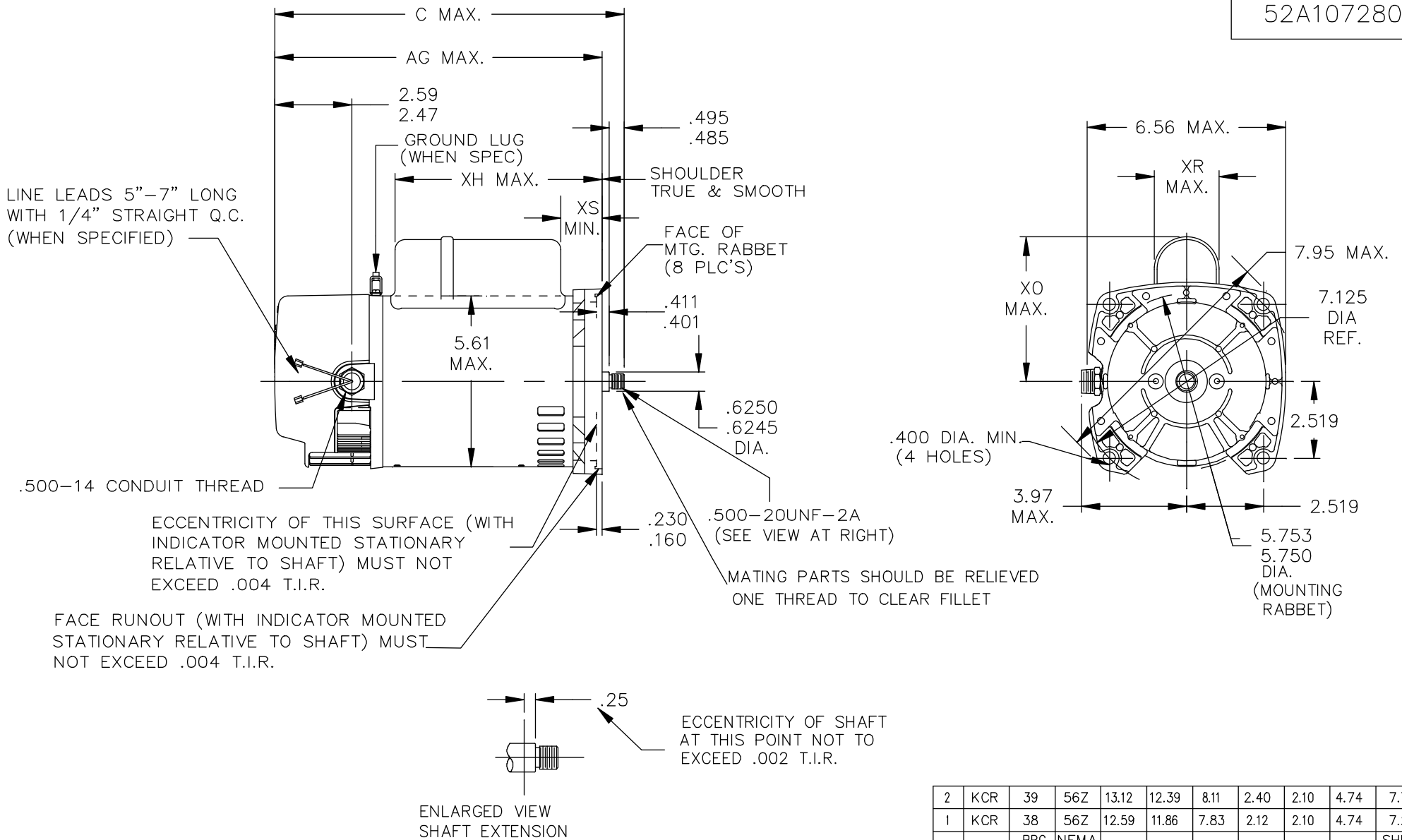
Nameplate Specifications

Output HP	2 Hp	Output KW	1.5 kW
Frequency	60 Hz	Voltage	230 V
Current	8.7 A	Speed	3450 rpm
Service Factor	1.3	Phase	1
Efficiency	78.5 %	Power Factor	0
Duty	Continuous	Insulation Class	B
KVA Code	J	Frame	56Y
Enclosure	Drip Proof	Thermal Protection	AUTO
Ambient Temperature	50 °C	Drive End Bearing Size	6204
Opp Drive End Bearing Size	6203	UL	Recognized
CSA	Yes	CE	N

Technical Specifications

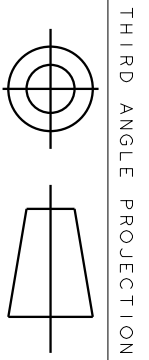
Electrical Type	Capacitor Start Capacitor Run	Starting Method	SM
Poles	2	Rotation	Clockwise
Mounting	Round	Motor Orientation	ANY
Drive End Bearing	LOCKED	Opp Drive End Bearing	Ball
Frame Material	Rolled Steel	Overall Length	13.12 in
Frame Length	7.75 in	Shaft Diameter	0.630 in
Shaft Extension	0.265 in		
Connection Drawing	52A106872	Outline Drawing	52A107280P2

This is an uncontrolled document once printed or downloaded and is subject to change without notice. Date Created:03/11/2020



2	KCR	39	56Z	13.12	12.39	8.11	2.40	2.10	4.74	7.75
1	KCR	38	56Z	12.59	11.86	7.83	2.12	2.10	4.74	7.22
P	TYPE	RBC SIZE	NEMA FR	C	AG	XH	XS	XR	XO	SHELL REF.

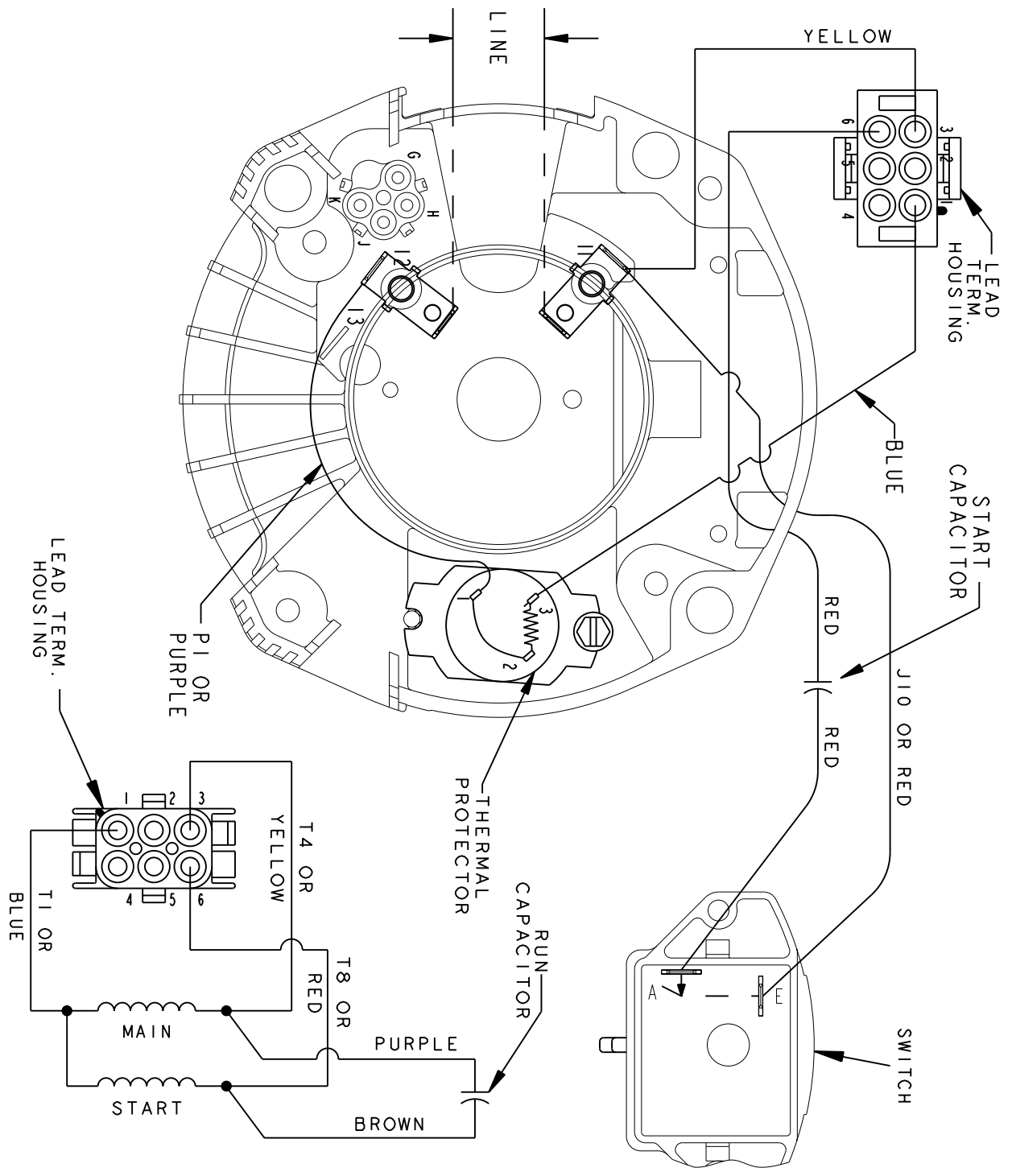
				TOLERANCES UNLESS SPECIFIED		REGAL-BELOIT CORPORATION		DRAWN MDP 03/31/93		
				DEC.	INCHES	REGAL-BELOIT CORPORATION		CHK		
5	JET/POOL IS REPLACED BY JET PUMP PER ECO-0033464	PVR 05/16/13	DS	.X	±.1	TITLE		OUTLINE		
4	ADDED DIM 7.95 MAX. PER ISO6-1166	AB 09/14/06		.XX	±.03	2 COMPARTMENT UPGRADE - 56Z - JET PUMP		SCALE 3=8		
3	CHG TO RBC FORMAT PER ISO5-1777	SUD 02/27/06		.XXX	±.005	MAT'L.		REF		
2	REVISED PER TI95-21,753.	MDP 04/27/95		.XXXX	±.0005	FINISH		FMF		
NO.	REVISION	BY & DATE	CHK	ANG	±1/2'	FINISH		PREV		
THIS DRAWING IN DESIGN AND DETAIL IS OUR PROPERTY AND MUST NOT BE USED EXCEPT IN CONNECTION WITH OUR WORK ALL RIGHTS OF DESIGN AND INVENTION ARE RESERVED THIS IS AN ELECTRONICALLY GENERATED DOCUMENT - DO NOT SCALE THIS PRINT				RFP		CAD FILE	52A107280	SIZE	DRAWING NO.	REV.
				DIST				A	52A107280	5



THIRD ANGLE PROJECTION

REV.	DESCRIPTION	DATE	APPROVED
2	REDRAWN IN PROJE, NO CHANGES	08/03/07	MADHU

SET ROTATION - SINGLE VOLTAGE
TYPE KCR WITH PROTECTOR



CONNECTION LABEL - 52X333028



REGAL-BELOMT CORPORATION

REGAL-BELOMT CORPORATION
CONNECTION DIAGRAM

SIGNATURES	DATE
MODEL	
DETAIL	M. A. MARKS 06/20/91
CHECKED	
ENGRG	
MFG	
QUALITY	
ISSUED	M. A. MARKS 06/20/91
SOLID MODEL:	52A106872

TITLE
FME : 2 COMPARTMENT SINGLE VOLT , SET ROTATION
SIZE DRAWING A
SCALE : 1.000 REF. No. :
SHEET 1 of 1